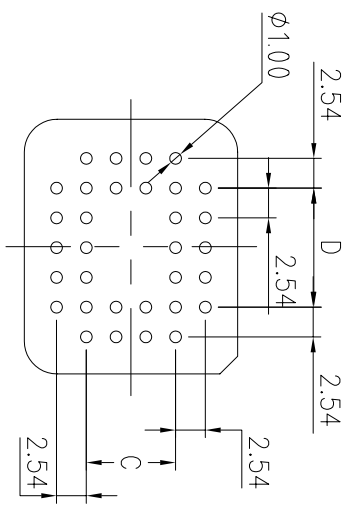


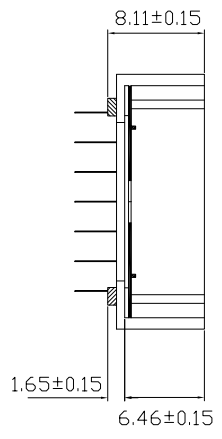
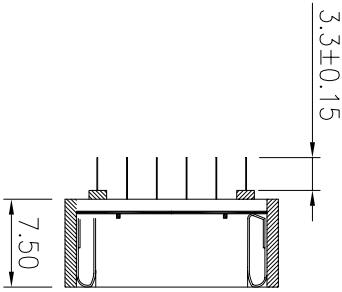
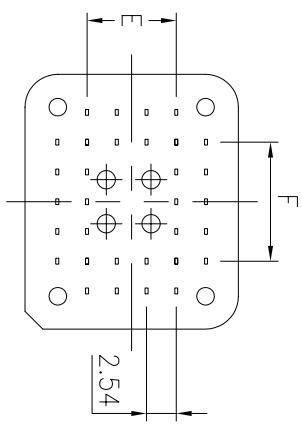
20,28,32PIN 圓圈只有一個  
44,52,68,84PIN 圓圈有四個



RECOMMENDED PCB LAYOUT

**MATERIAL**  
 Insulator Material:Thermoplastic(Ul 94V-0)  
 Contact Material:Phosphor Bronze

**SPECIFICATION**  
 Contact Resistance:30mΩ MAX. at Dc 100mA  
 Insulation Resistance:1000M Ω Min. at Dc 500V  
 Current Rating:1AMP  
 Dielectric withstanding voltage:Ac 500V for 1 minute  
 Temperature Rating:-55 C ~ +105C



NO. OF CONTACT	A±0.15	B±0.15	C±0.15	D±0.15	E±0.15	F±0.15
20	15.50	15.50	5.08	5.08	5.08	5.08
28	18.04	18.04	7.62	7.62	7.62	7.62
32	18.04	20.54	7.62	10.16	7.62	10.16
44	23.48	23.48	12.70	12.70	12.70	12.70
52	25.88	25.88	15.24	15.24	15.24	15.24
68	31.04	31.04	20.32	20.32	20.32	20.32
84	36.04	36.04	25.40	25.40	25.40	25.40

**HOW TO ORDER**

PLCCX - XX - X

- Material Option: G:PBT, V:PPS
- No. of circuit
- G:Normal Part, G:ROHS Part, V:For Lead free Process
- Base No.

**LONG CHU ELECTRONICS CO. LTD**  
**龍竹企業股份有限公司**

DESCRIPTION:

2.54mm PLCC SOCKET

REV.	CHANGE HOW TO ORDER	DATE	DR.	RE.	SCALE	P/N	SHEET NO.
A	NEW RELEASE(F00026)	06/08/07*	KELLY	APP.	0.0 ±.30	PLCC SERIES	
REV.	REV. RECORD		CHK.		0.00 ±.20		