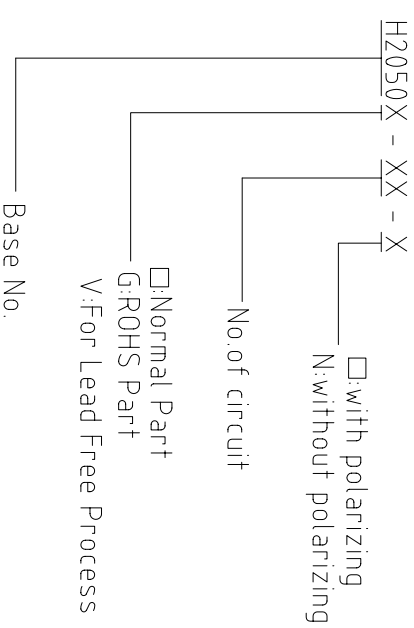


### FEATURES

- \* Available in 02-20 circuits
- \* Friction lock
- \* UL 94 V-0 Thermoplastic
- \* Mates with LCU P2050 series
- \* Accepts LCU T303 series Contact terminal.
- \* 250V AC/DC , 2.5A

### HOW TO ORDER



### Ordering and Dimensional Information-(mm)

Part No.	Circuits	Dim.A
H2050-02	02	5.50
H2050-03	03	8.10
H2050-04	04	10.50
H2050-05	05	13.00
H2050-06	06	15.50
H2050-07	07	18.10
H2050-08	08	20.60
H2050-09	09	23.10
H2050-10	10	25.60
H2050-11	11	28.10

Part No.	Circuits	Dim.A
H2050-12	12	30.60
H2050-13	13	33.20
H2050-14	14	35.60
H2050-15	15	38.00
H2050-16	16	40.70
H2050-17	17	43.00
H2050-18	18	45.50
H2050-19	19	48.10
H2050-20	20	50.50

**LONG CHU ELECTRONICS CO. LTD**  
**LCU** 龍竹企業股份有限公司

DESCRIPTION:

**2.50mm HOUSING**

MATERIAL	UNIT	GENERAL TOLERANCE	SIZE	P/N	SHEET NO.
SEE LIST	mm	0. ±±.50	A4	H2050 series	
DR. KELLY	RE.	0.0 ±±.30	SCALE	REV. A	
NEW RELEASE	CHK.	0.00 ±±.20			
REV.	REV. RECORD	DATE			