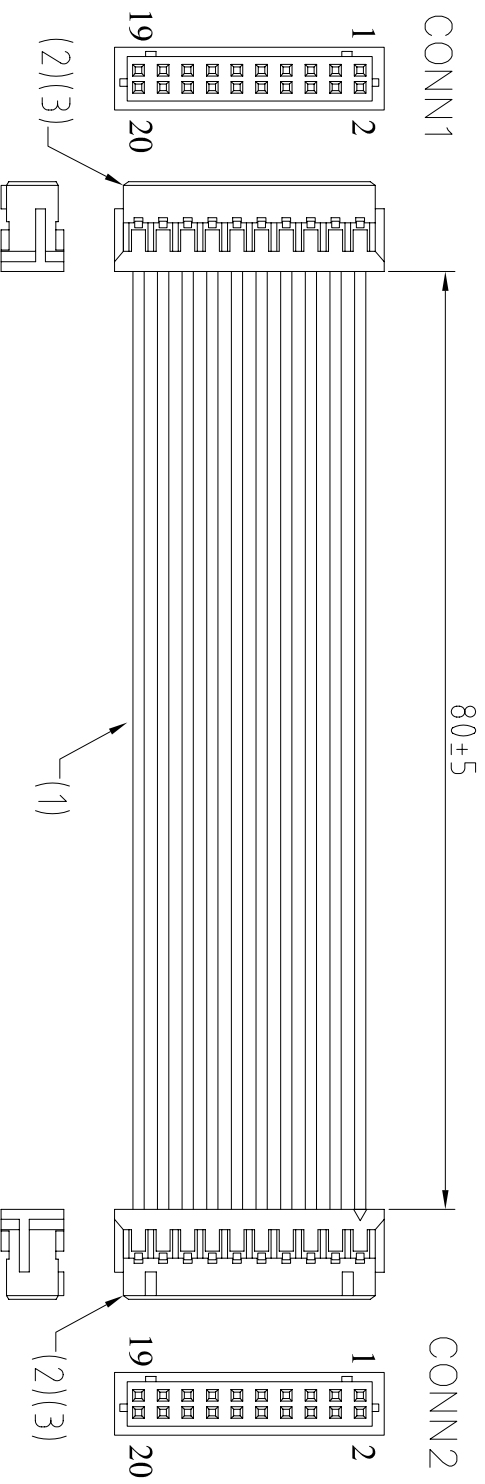


PIN ASSIGNMENT

CONN1	COLOR	CONN2
1	BLACK	1
2	BROWN	2
3	RED	3
4	ORANGE	4
5	YELLOW	5
6	GREEN	6
7	BLUE	7
8	PURPLE	8
9	GRAY	9
10	WHITE	10
11	BLACK	11
12	BROWN	12
13	RED	13
14	ORANGE	14
15	YELLOW	15
16	GREEN	16
17	BLUE	17
18	PURPLE	18
19	GRAY	19
20	WHITE	20



(3)	TERMINAL: T220 OR EQUIVALENT	40	EA
(2)	HOUSING: H220-2*10 OR EQUIVALENT	2	EA
(1)	WIRE: UL1007 26AWG	20	PCS
ITEM	DESCRIPTION	Q'TY	UNIT

REV.	DESCRIPTION	DATE	CHK.	APP.	MATERIAL	UNIT	DESCRIPTION:	GENERAL TOLERANCE	SIZE	P/N	SCALE	REV.	SHEET NO.
A	NEW RELEASE	10/08/04*	KELLY		SEE LIST	mm	2.00mm Housing with wire Assy	0.0 ±.50 0.0 ±.30 0.00 ±.20	0.1 ±.5° 0.1 ±.1°	2MH220G-2x10-80	1.5/1	A	
					DR. KELLY	RE.			A4				

LONG CHU ELECTRONICS CO. LTD
LCU 龍竹企業股份有限公司